

0CW10-M05000EN

# P R E F A C E

1. This parts catalog is the 1st edition of 2TNV70-KBR, 2TNV70-KBRC, 2TNV70-KBRT for BLACK ROCK SYSTEM.

Pub. No. : 0CW10-G05000

Published : July, 2005

2. Model name

Engine model	Vehicle	Vehicle made by
2TNV70-KBR 2TNV70-KBRC 2TNV70-KBRT	APU GENERATOR	BLACK ROCK SYSTEM

# Contents

Fig. No. Fig. Name

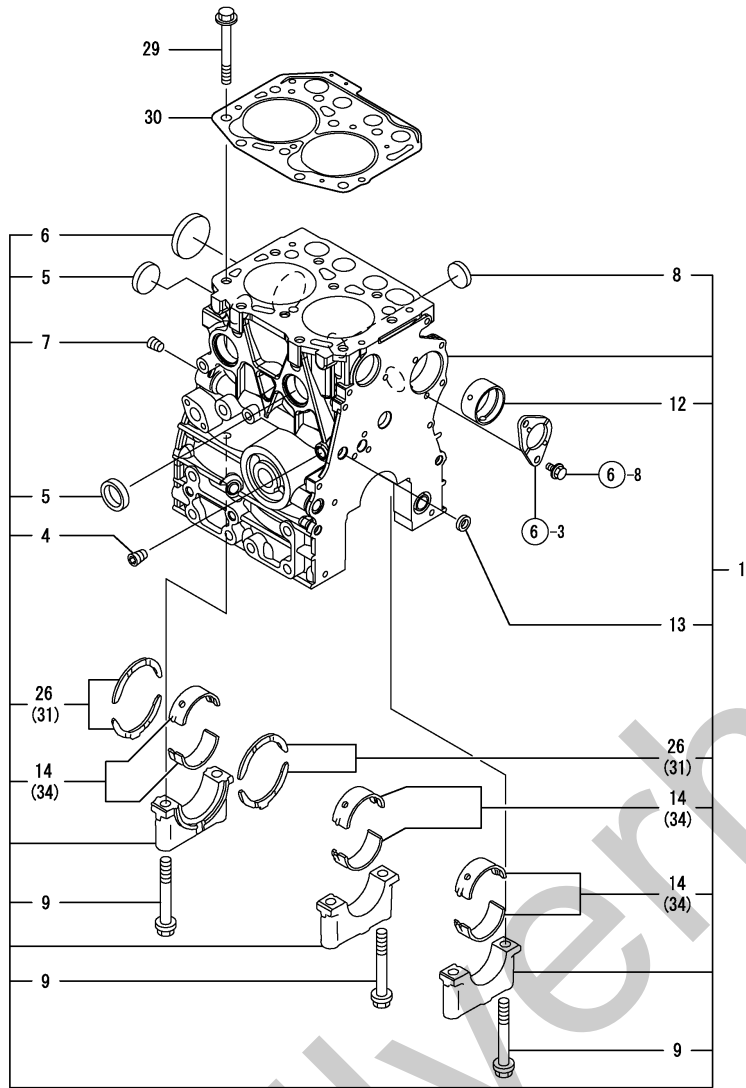
## ENGINE SECTION

1. CYLINDER BLOCK
2. GEAR HOUSING
3. MOUNTING FLANGE & OIL SUMP
4. CYLINDER HEAD & BONNET
5. EXHAUST MANIFOLD
6. CAMSHAFT & DRIVING GEAR
7. CRANKSHAFT & PISTON
8. LUB.OIL SYSTEM
9. COOLING WATER SYSTEM
10. FUEL INJECTION PUMP
11. GOVERNOR
12. FUEL INJECTION VALVE
13. FUEL LINE
14. STARTING MOTOR
15. GENERATOR
16. GASKET SET

Fig. No. Fig. Name

Silverhorn.CO.UK

Fig.1. CYLINDER BLOCK



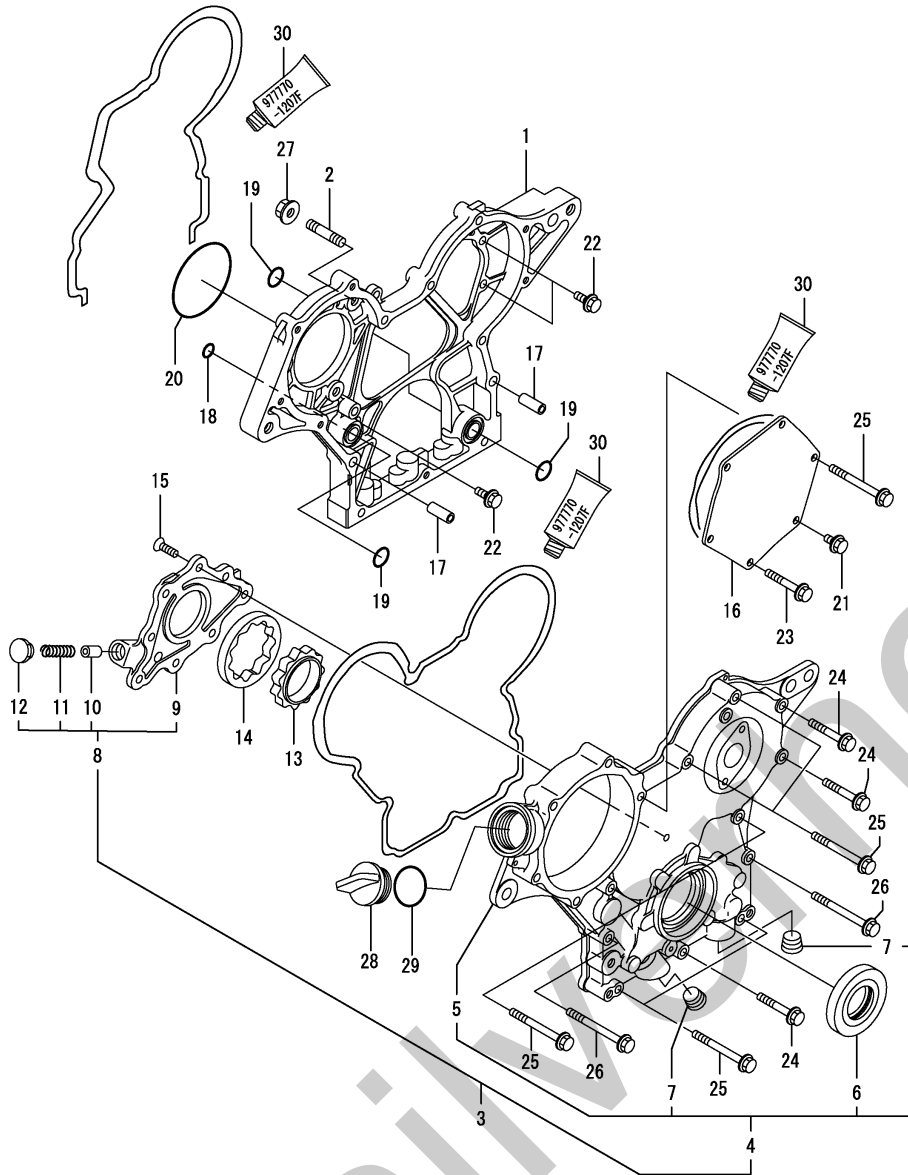
(A)=2TNV70-KBR  
(B)=2TNV70-KBRC  
(C)=2TNV70-KBRT

(D)=  
(E)=  
(F)=

No.	Lev.	Parts No.	Description	Q'ty						I	R
				(A)	(B)	(C)	(D)	(E)	(F)		
1	1	719415-01560	BLOCK ASSY, CYLINDER	1	1	1					
4	2	124060-01050	PLUG, PT1/8	1	1	1					
5	2	105311-01090	PLUG, 30	3	3	3					
6	2	119623-01250	PLUG, 45	1	1	1					
7	2	124160-01910	PLUG, PT1/4	1	1	1					
8	2	119285-01990	PLUG, 25	2	2	2					
9	2	119620-02020	BOLT, METAL CAP	6	6	6					
12	2	119717-02410	BUSH, CAMSHAFT	1	1	1					
13	2	27241-120000	PLUG, 12	1	1	1					
14	2	719717-02900	BEARING, MAIN	3	3	3					1
26	2	119717-02930	BEARING, THRUST	2	2	2					
29	1	119515-01200	BOLT, HEAD	10	10	10					
30	1	119415-01330	GASKET, HEAD	1	1	1					
31	1	119810-02940	BEARING, THRUST 0.25	2	2	2					2
34	1	719717-02910	BEARING, 0.25 US	3	3	3					3

Remarks  
 (1) REPAIR PART.  
 (2) OVER-SIZE(O.S=0.25)PART.  
 (3) UNDER-SIZE(U.S=0.25)PART.

Fig.2. GEAR HOUSING



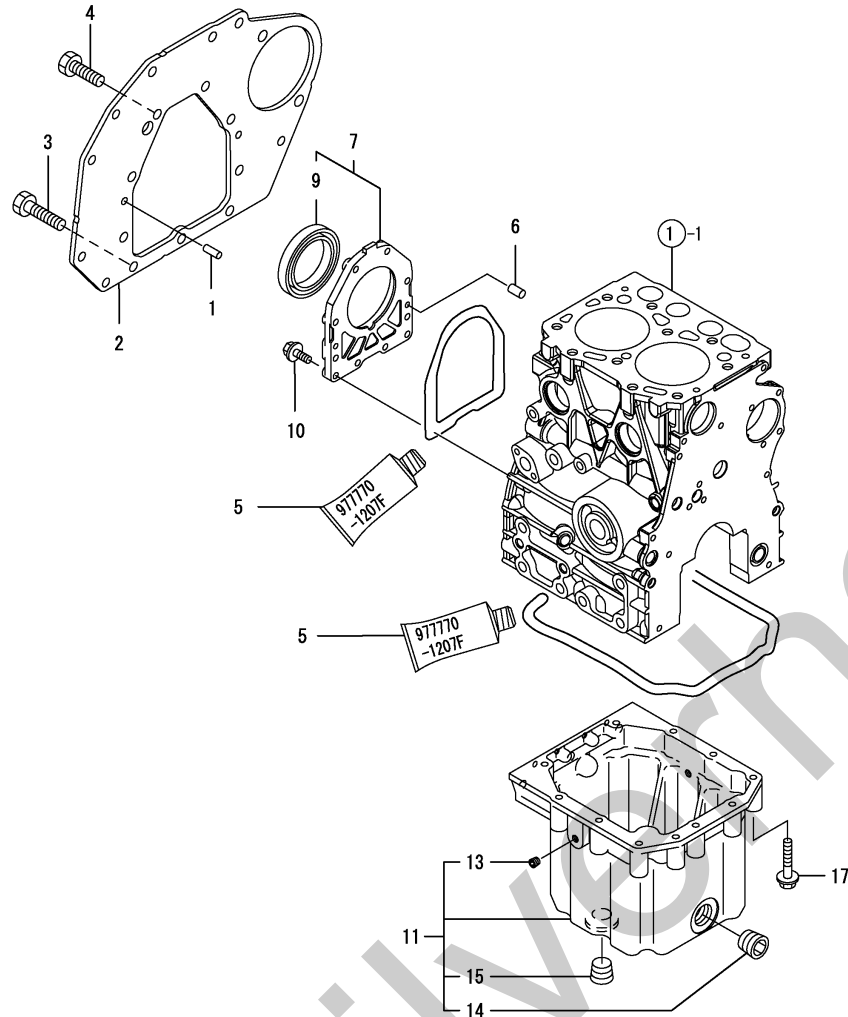
(A)=2TNV70-KBR  
 (B)=2TNV70-KBRC  
 (C)=2TNV70-KBRT

(D)=  
 (E)=  
 (F)=

No.	Lev.	Parts No.	Description	Q'ty						I	R
				(A)	(B)	(C)	(D)	(E)	(F)		
1	1	119717-01501	CASE, GEAR	1	1	1					
2	1	119717-01570	STUD	3	3	3					
3	1	119734-01590	COVER ASSY,GEAR CASE	1	1	1					
4	2	719734-01500	COVER ASSY,GEAR CASE	1	1	1					
5	3	119717-01521	COVER, GEAR CASE	1	1	1					
6	3	119717-01800	SEAL, OIL	1	1	1					
7	3	23876-030000	PLUG, R03	2	2	2					
8	2	119717-32100	COVER ASSY	1	1	1					
9	3	119717-32080	COVER	1	1	1					
10	3	129900-32130	VALVE, RELIEF	1	1	1					
11	3	129001-32320	SPRING	1	1	1					
12	3	129001-32330	PLUG	1	1	1					
13	2	119717-32110	ROTOR, INNER	1	1	1					
14	2	119717-32120	ROTOR, OUTER	1	1	1					
15	2	119802-32130	SCREW, M6X16	8	8	8					
16	1	119717-01750	COVER	1	1	1					
17	1	119660-01911	PIPE, KNOCK	4	4	4					
18	1	119624-32040	O-RING, P12.0	1	1	1					
19	1	119717-32050	O-RING, P17.0	3	3	3					
20	1	121850-51960	O-RING	1	1	1					
21	1	26106-060122	BOLT, M6X 12 PLATED	1	1	1					
22	1	26106-060162	BOLT, M6X 16 PLATED	4	4	4					
23	1	26106-060402	BOLT, M6X 40 PLATED	4	4	4					
24	1	26106-060402	BOLT, M6X 40 PLATED	3	3	3					
25	1	26106-060602	BOLT, M6X 60 PLATED	7	7	7					
26	1	26106-060652	BOLT, M6X 65 PLATED	2	2	2					
27	1	26306-080002	NUT, M8	3	3	3					
28	1	124160-01751	COVER, FILLER	1	1	1					
29	1	24311-000320	O-RING, 1AP32.0	1	1	1					
30	1	977770-1207F	GASKET.LIQUID	1	1	1					1

Remarks  
 (1) OPTIONAL PART.

Fig.3. MOUNTING FLANGE & OIL SUMP



(A)=2TNV70-KBR  
(B)=2TNV70-KBRC  
(C)=2TNV70-KBRT

(D)=  
(E)=  
(F)=

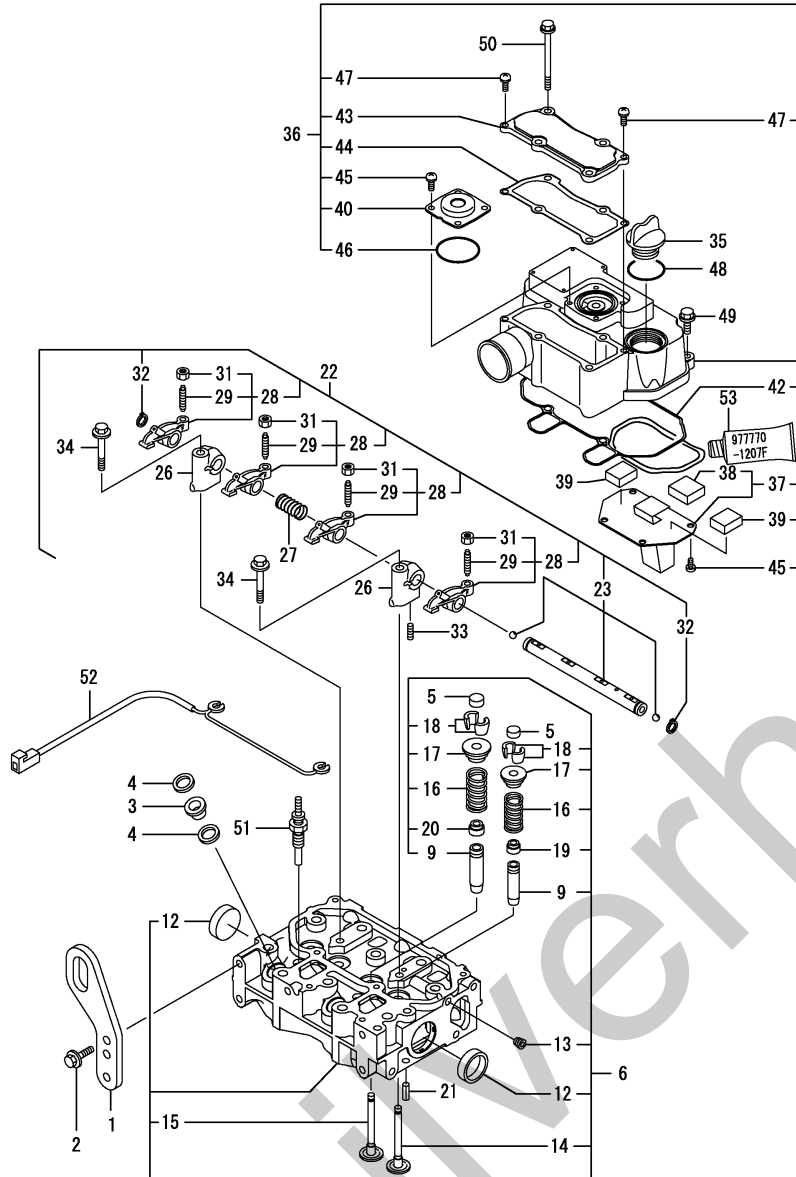
No.	Lev.	Parts No.	Description	Qty						I	R
				(A)	(B)	(C)	(D)	(E)	(F)		
1	1	129100-01580	PIN, M8X16	2	2	2					
2	1	119718-01600	FLANGE, MOUNTING	1	1	1					
3	1	26206-100252	BOLT, M10X 25 PLATED	3	3	3					
4	1	26206-100202	BOLT, M10X 20 PLATED	7	7	7					
5	1	977770-1207F	GASKET.LIQUID	1	1	1					1
6	1	119620-01620	PIN, M6X10	2	2	2					
7	1	119734-01640	CASE ASSY, OIL SEAL	1	1	1					
9	2	119734-02220	SEAL, OIL	1	1	1					
10	1	26106-060222	BOLT, M6X 22 PLATED	10	10	10					
11	1	119416-01770	SUMP ASSY, OIL	1	1	1					
13	2	119285-01731	PLUG, NPT1/8	2	2	2					
14	2	129486-01740	PLUG, DRAIN 3/4NPT	1	1	1					
15	2	124085-01771	PLUG, NPT1/2	1	1	1					
17	1	26106-060452	BOLT, M6X 45 PLATED	11	11	11					

Remarks  
(1) OPTIONAL PART.

Fig.4. CYLINDER HEAD & BONNET

(A)=2TNV70-KBR  
(B)=2TNV70-KBRC  
(C)=2TNV70-KBRT

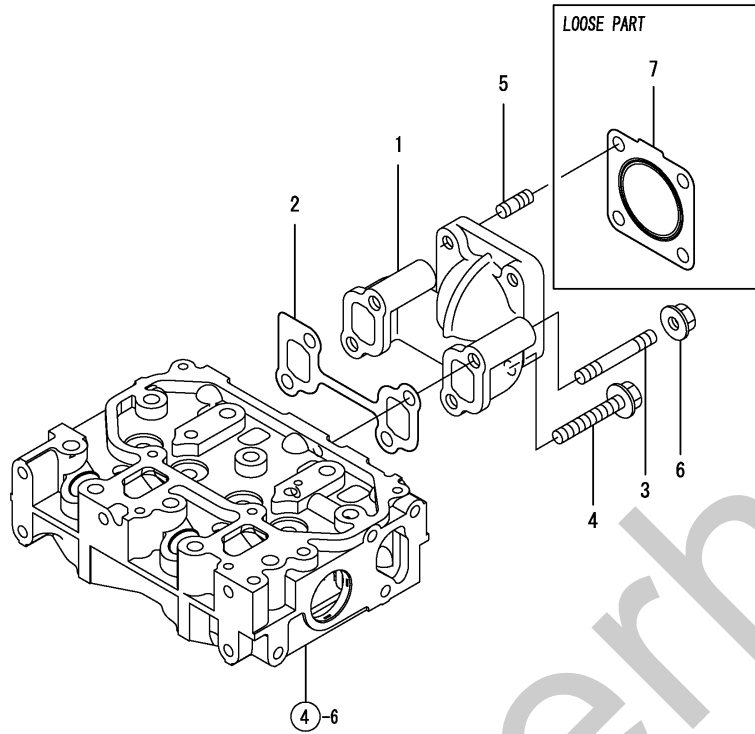
(D)=  
(E)=  
(F)=



No.	Lev.	Parts No.	Description	Q'ty						I	R
				(A)	(B)	(C)	(D)	(E)	(F)		
1	1	129486-07901	LIFTER	1	1	1					
2	1	26106-080142	BOLT, M8X 14 PLATED	2	2	2					
3	1	129901-11450	PROTECTOR, NOZZLE	2	2	2					
4	1	119600-11460	GASKET, NOZZLE	4	4	4					
5	1	105010-11490	CAP, VALVE	4	4	4					
6	1	119415-11740	HEAD ASSY, CYLINDER	1	1	1					
9	2	119515-11800	GUIDE, VALVE	4	4	4					1
12	2	119285-11990	PLUG, 35	2	2	2					
13	2	23876-005000	PLUG, R005	1	1	1					
14	2	119515-11100	VALVE, INTAKE	2	2	2					
15	2	119515-11110	VALVE, EXHAUST	2	2	2					
16	2	119717-11131	SPRING, VALVE	4	4	4					
17	2	129508-11180	RETAINER, SPRING	4	4	4					
18	2	119717-11190	COTTER	8	8	8					
19	2	119717-11340	SEAL, VALVE STEM	2	2	2					
20	2	119717-11350	SEAL, VALVE STEM	2	2	2					
21	1	22351-060012	PIN, SPRING 6.0X12	2	2	2					
22	1	119415-11200	SUPPORT ASSY, ARM	1	1	1					
23	2	119415-11240	SHAFT ASSY, ROCKER	1	1	1					
26	2	119717-11260	SUPPORT, ROCKER ARM	2	2	2					
27	2	119515-11280	SPRING	1	1	1					
28	2	119717-11650	ARM, ROCKER	4	4	4					
29	3	129150-11230	SCREW, VALVE ADJUST	4	4	4					
31	3	129150-11750	NUT, M8	4	4	4					
32	2	22242-000120	RING, 12	2	2	2					
33	2	26979-050162	SCREW, M5X16	1	1	1					
34	1	26106-080402	BOLT, M8X 40 PLATED	2	2	2					
35	1	124160-01751	COVER, FILLER	1	1	1					
36	1	119416-11380	BONNET ASSY, HEAD	1	1	1					
37	2	119717-03031	PLATE	1	1	1					
38	3	119717-03070	BAFFLE, BREATHER	1	1	1					
39	2	119717-03070	BAFFLE, BREATHER	2	2	2					
40	2	129006-03120	COVER, DIAPHRAGM	1	1	1					
42	2	119415-11310	GASKET, BONNET	1	1	1					
43	2	119415-11320	COVER, BONNET	1	1	1					
44	2	119415-11330	GASKET	1	1	1					
45	2	22857-500100	SCREW, 5X10	8	8	8					
46	2	24341-000400	O-RING, 1AS40.0	1	1	1					
47	2	22857-500160	SCREW, 5X16	2	2	2					
48	1	24311-000320	O-RING, 1AP32.0	1	1	1					
49	1	26106-060202	BOLT, M6X 20 PLATED	2	2	2					
50	1	26106-060752	BOLT, M6X 75 PLATED	4	4	4					
51	1	119718-77800	PLUG, GLOW	2	2	2					
52	1	119415-77820	CONNECTOR, GLOW PLUG	1	1	1					
53	1	977770-1207F	GASKET.LIQUID	1	1	1					2

Remarks  
(1) REPAIR PART.  
(2) OPTIONAL PART.

Fig.5. EXHAUST MANIFOLD



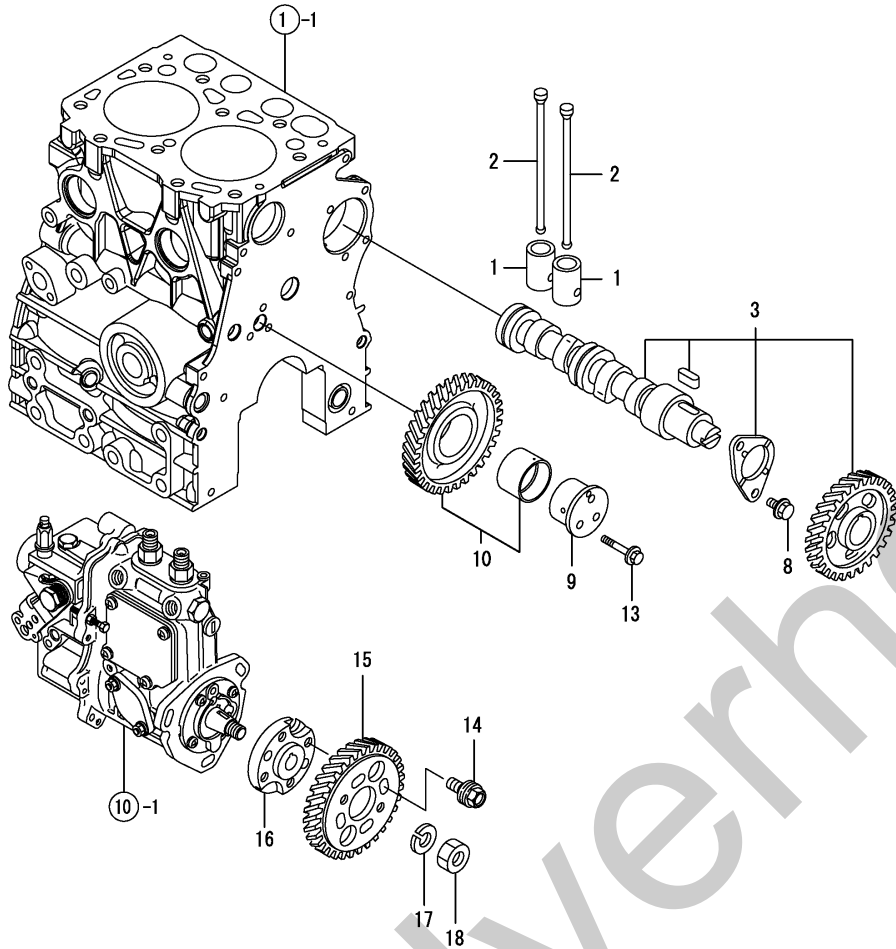
(A)=2TNV70-KBR  
(B)=2TNV70-KBRC  
(C)=2TNV70-KBRT

(D)=  
(E)=  
(F)=

No.	Lev.	Parts No.	Description	Qty						I	R
				(A)	(B)	(C)	(D)	(E)	(F)		
1	1	119415-13100	MANIFOLD, EXHAUST	1	1	1					
2	1	119415-13110	GASKET	1	1	1					
3	1	119717-13600	STUD, M8X50	2	2	2					
4	1	119802-13620	BOLT, M8X50	2	2	2					
5	1	119131-18320	STUD, M8X22	4	4	4					
6	1	26306-080002	NUT, M8	2	2	2					
7	1	119515-13200	GASKET, SILENCER	1	1	1					



Fig.6. CAMSHAFT & DRIVING GEAR

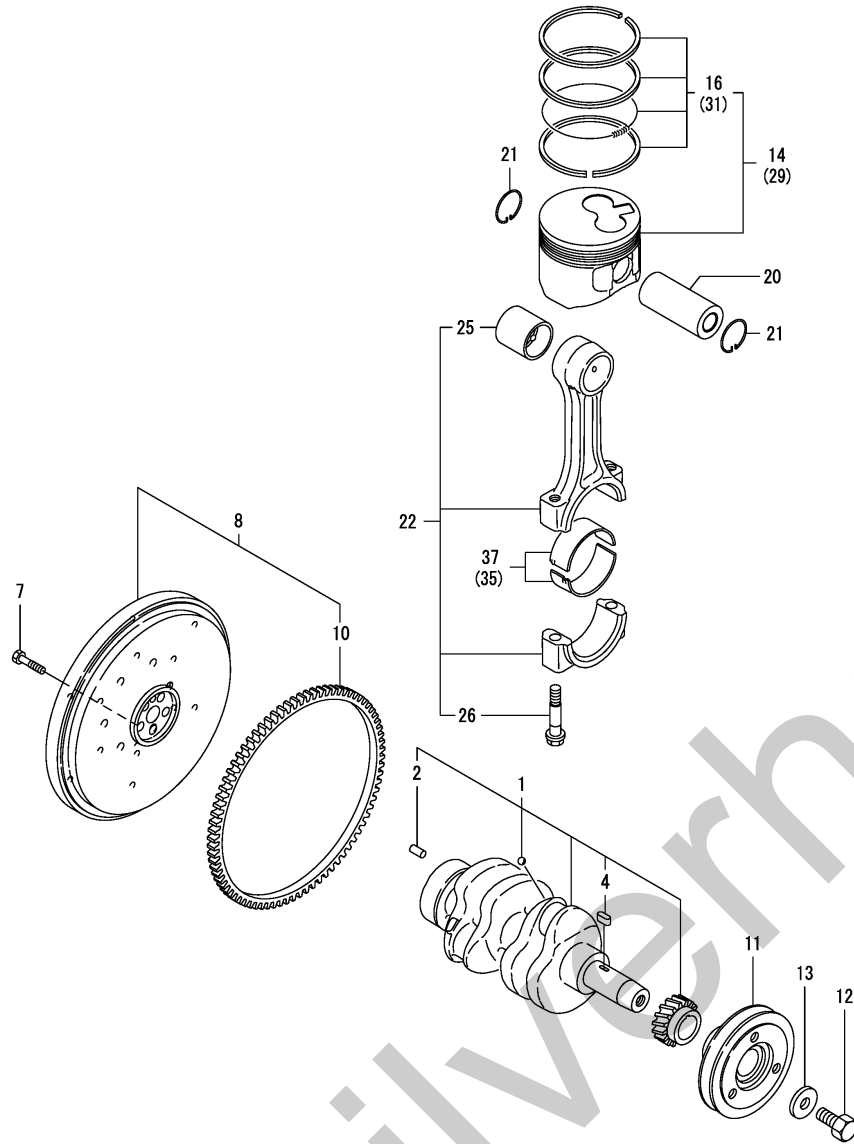


(A)=2TNV70-KBR  
 (B)=2TNV70-KBRC  
 (C)=2TNV70-KBRT

(D)=  
 (E)=  
 (F)=

No.	Lev.	Parts No.	Description	Q'ty						I	R
				(A)	(B)	(C)	(D)	(E)	(F)		
1	1	119620-14200	TAPPET	4	4	4					
2	1	119515-14400	ROD, PUSH	4	4	4					
3	1	119415-14580	CAMSHAFT ASSY	1	1	1					
8	1	26106-060122	BOLT, M6X 12 PLATED	2	2	2					
9	1	119717-25050	SHAFT, IDLE	1	1	1					
10	1	119717-25100	GEAR ASSY, IDLE	1	1	1					
13	1	26106-060352	BOLT, M6X 35 PLATED	3	3	3					
14	1	129150-25301	BOLT	4	4	4					
15	1	119717-25930	GEAR, PUMP	1	1	1					
16	1	119717-51150	FLANGE	1	1	1					
17	1	22217-120000	WASHER, SPRING 12	1	1	1					
18	1	26716-120002	NUT, M12	1	1	1					

Fig.7. CRANKSHAFT & PISTON



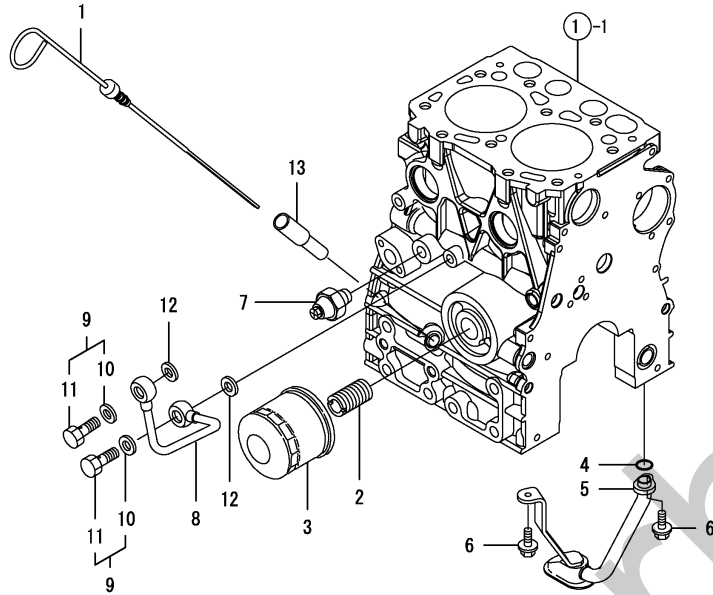
(A)=2TNV70-KBR  
(B)=2TNV70-KBRC  
(C)=2TNV70-KBRT

(D)=  
(E)=  
(F)=

No.	Lev.	Parts No.	Description	Q'ty						I	R
				(A)	(B)	(C)	(D)	(E)	(F)		
1	1	119415-21700	CRANKSHAFT ASSY	1	1	1					
2	2	129100-01580	PIN, M8X16	1	1	1					
4	2	22512-040120	KEY, 4X 12	1	1	1					
7	1	119620-21500	BOLT, FLYWHEEL	5	5	5					
8	1	119415-21600	FLYWHEEL ASSY	1	1	1					
10	2	124060-21600	GEAR, RING	1	1	1					
11	1	119717-21650	V-PULLEY	1	1	1					
12	1	119621-21680	BOLT, FLANGE 12X1.25	1	1	1					
13	1	119620-21941	WASHER	1	1	1					
14	1	119516-22020	PISTON ASSY	2	2	2					
16	2	119515-22500	RING SET, PISTON	2	2	2					
20	1	119515-22300	PIN, PISTON	2	2	2					
21	1	22252-000220	RING, 22	4	4	4					
22	1	119515-23000	ROD ASSY, CONNECTING	2	2	2					
25	2	119717-23910	BEARING, PISTON PIN	2	2	2					1
26	2	119717-23200	BOLT, CONNECTING ROD	4	4	4					
29	1	119516-22030	PISTON ASSY, 0.25 OS	2	2	2					3
31	2	119515-22550	RING SET, 0.25 OS	2	2	2					3
35	1	119515-23610	METAL ASSY, 0.25	2	2	2					2
37	1	119515-23600	BEARING, CRANK PIN	2	2	2					

Remarks  
 (1) REPAIR PART.  
 (2) UNDER-SIZE(U.S=0.25)PART.  
 (3) OVER-SIZE(O.S=0.25)PART.

Fig.8. LUB.OIL SYSTEM



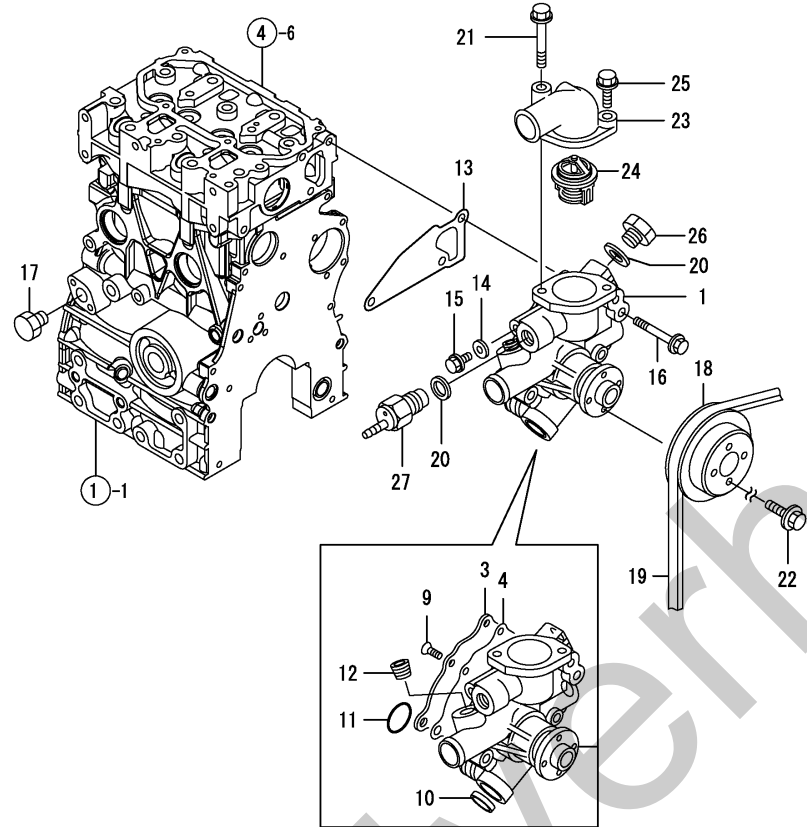
(A)=2TNV70-KBR  
(B)=2TNV70-KBRC  
(C)=2TNV70-KBRT

(D)=  
(E)=  
(F)=

No.	Lev.	Parts No.	Description	Qty						I	R
				(A)	(B)	(C)	(D)	(E)	(F)		
1	1	119416-34800	DIPSTICK, OIL	1	1	1					
2	1	129100-35140	STUD	1	1	1					
3	1	119305-35151	FILTER ASSY, D68XL65	1	1	1					1
4	1	119717-32060	O-RING, P15.0	1	1	1					
5	1	119416-35080	PIPE ASSY, OIL INLET	1	1	1					
6	1	26106-060122	BOLT, M6X 12 PLATED	2	2	2					
7	1	121252-39450	SWITCH, 0.5KG	1	1	1					
8	1	119415-39210	PIPE, OIL	1	1	1					
9	1	129005-59830	BOLT ASSY, JOINT M8	2	2	2					
10	2	22190-080002	WASHER, SEAL 6	2	2	2					
11	2	23857-030000	BOLT, JOINT 3	2	2	2					
12	1	22190-080002	WASHER, SEAL 6	2	2	2					
13	1	121520-34810	GUIDE, DIPSTICK	1	1	1					

Remarks  
(1) REPAIR PART.

Fig.9. COOLING WATER SYSTEM



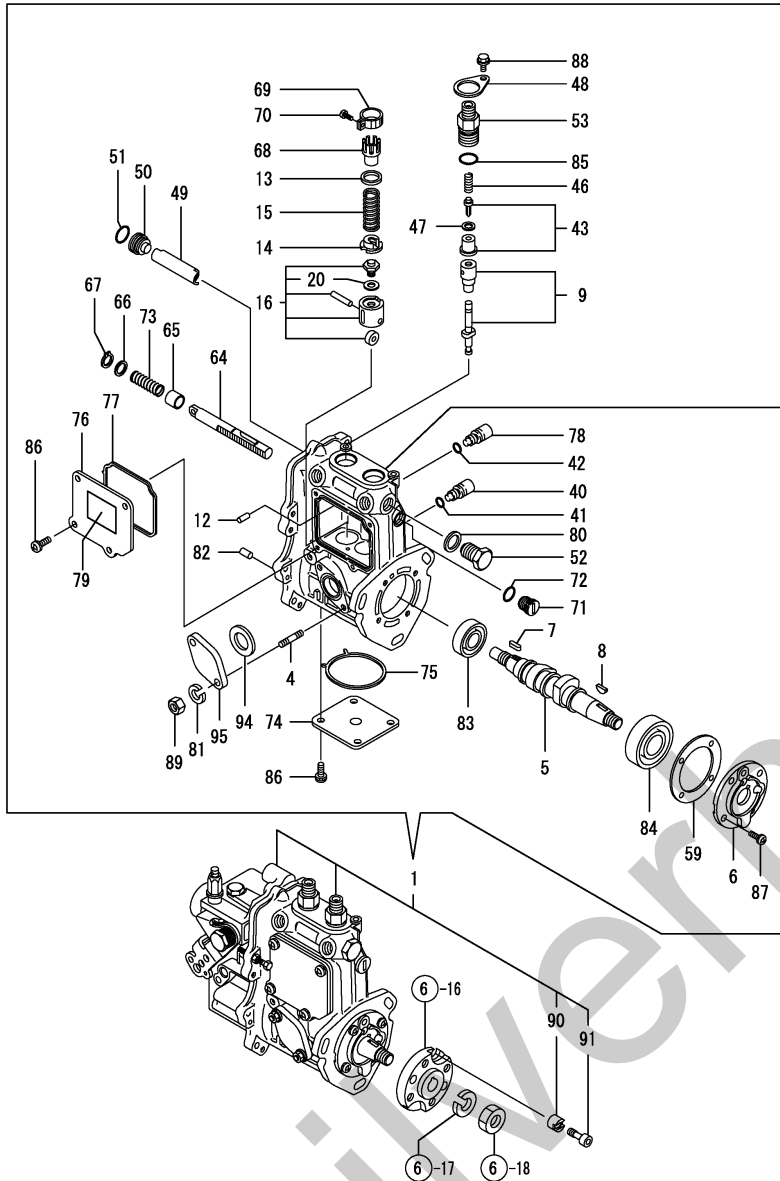
(A)=2TNV70-KBR  
(B)=2TNV70-KBRC  
(C)=2TNV70-KBRT

(D)=  
(E)=  
(F)=

No.	Lev.	Parts No.	Description	Q'ty						I	R
				(A)	(B)	(C)	(D)	(E)	(F)		
1	1	119540-42000	PUMP ASSY, WATER	1	1	1					
1-1	1	119C10-42000	PUMP ASSY, WATER	1	1	1					N
		(A=E/ C0663) (B=E/ C0663) (C=E/ C0663)									
3	2	119515-42041	COVER	1	1	1					
4	2	119717-42031	GASKET	1	1	1					
9	2	26577-060122	SCREW, M6X12	4	4	4					
10	2	27241-250000	PLUG, 25	1	1	1					
11	2	119717-42320	O-RING, P26	1	1	1					
11-1	2	119C10-42320	O-RING, 2028	1	1	1					S
		(A=E/ C0663) (B=E/ C0663) (C=E/ C0663)									
12	2	129916-49740	PLUG, R03	1	1	1					
13	1	119515-42020	GASKET, WATER PUMP	1	1	1					
14	1	23414-080000	GASKET, 8X1.0	1	1	1					
15	1	26106-080122	BOLT, M8X 12 PLATED	1	1	1					
16	1	26106-080502	BOLT, M8X 50 PLATED	3	3	3					
17	1	171056-49120	PLUG, DRAIN	1	1	1					
18	1	119515-42350	V-PULLEY, D=110	1	1	1					
19	1	129612-42400	V-BELT, A35.5	1	1	1					
20	1	124465-44950	GASKET, 16	2	2	2					
21	1	26106-080652	BOLT, M8X 65 PLATED	1	1	1					
22	1	26106-060122	BOLT, M6X 12 PLATED	4	4	4					
23	1	124101-49531	COVER, THERMOSTAT	1	1	1					
24	1	119718-49800	THERMOSTAT, 82	1	1	1					
25	1	26106-080252	BOLT, M8X 25 PLATED	1	1	1					
26	1	121450-42450	PLUG, M16	1	1	1					
27	1	121250-44901	SWITCH, 110	1	1	1					

Fig.10. FUEL INJECTION PUMP

(A)=2TNV70-KBR  
 (B)=2TNV70-KBRC  
 (C)=2TNV70-KBRT  
 (D)=  
 (E)=  
 (F)=



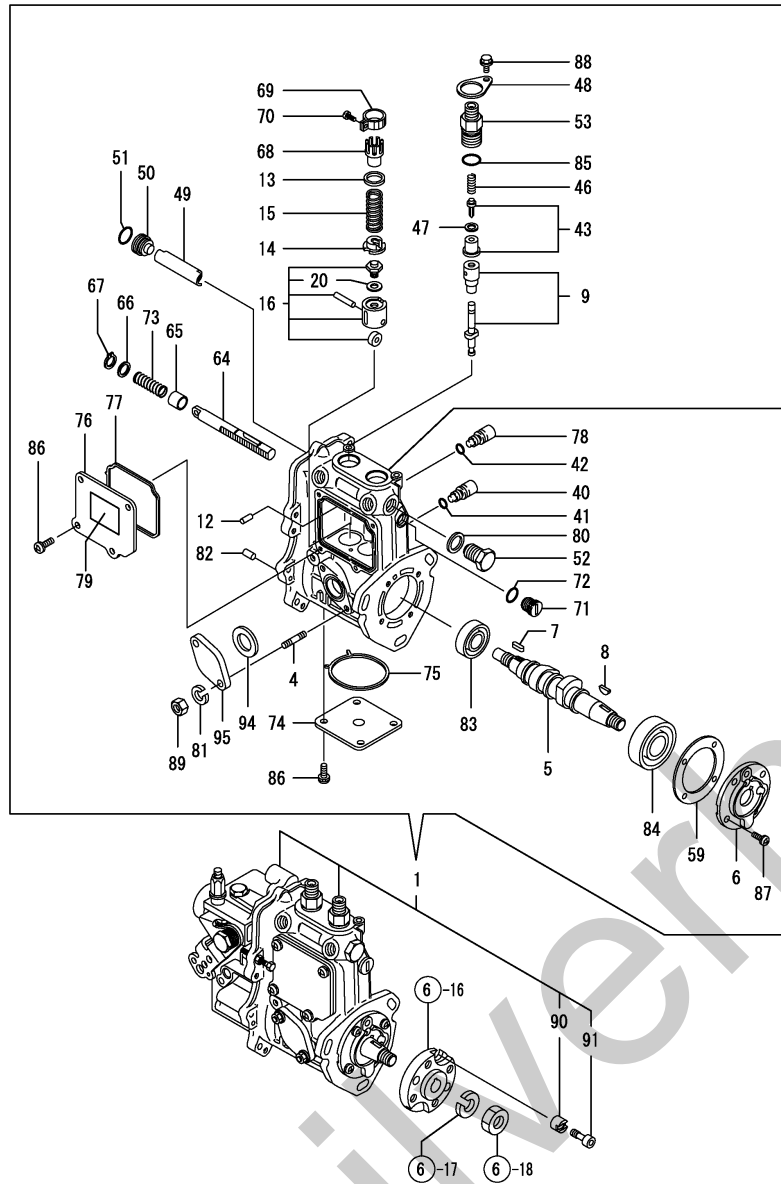
No.	Lev.	Parts No.	Description	Q'ty						I	R
				(A)	(B)	(C)	(D)	(E)	(F)		
1	1	719415-51380	PUMP ASSY, INJECTION	1	1	1					1
4	2	129155-51020	STUD	2	2	2					
5	2	119415-51030	CAMSHAFT	1	1	1					
6	2	119717-51060	SUPPORT, CAMSHAFT	1	1	1					
7	2	119717-51070	KEY	1	1	1					
8	2	122710-51090	KEY	1	1	1					
9	2	119515-51100	PLUNGER ASSY	2	2	2					
12	2	129155-51140	PIN	2	2	2					
13	2	158600-51170	RETAINER, SPRING	2	2	2					
14	2	119717-51180	RETAINER, SPRING	2	2	2					
15	2	119717-51190	SPRING, PLUNGER	2	2	2					
16	2	119717-51200	TAPPET ASSY	2	2	2					
20	3	129155-51600	SHIM SET, ADJUSTING	2	2	2					
40	2	158600-51270	STOPPER, TAPPET	2	2	2					
41	2	129155-51280	O-RING, S6	2	2	2					
42	2	129155-51280	O-RING, S6	1	1	1					
43	2	119717-51300	VALVE ASSY, DELIVERY	2	2	2					
46	2	119717-51330	SPRING, DELIVERY	2	2	2					
47	2	124550-51350	GASKET, DELIVERY	2	2	2					
48	2	118400-51370	LOCKING	2	2	2					
49	2	119415-51400	PROTECTOR	1	1	1					
50	2	158600-51410	PLUG, DEFLECTOR	1	1	1					
51	2	119717-51420	O-RING	1	1	1					
52	2	158600-51420	PLUG, DEFLECTOR	1	1	1					
53	2	158600-51441	VALVE ASSY, DELIVERY	2	2	2					
59	2	129155-51450	SHIM SET, ADJUSTING	1	1	1					
64	2	119415-51500	RACK, CONTROL	1	1	1					
65	2	129155-51521	BUSH, RACK	1	1	1					
66	2	129155-51530	SPACER	1	1	1					
67	2	129155-51540	CIRCLIP	1	1	1					
68	2	129155-51550	PINION, CONTROL	2	2	2					
69	2	129100-51560	PINION	2	2	2					
70	2	129100-51570	SCREW	2	2	2					
71	2	158600-51570	PLUG	1	1	1					
72	2	129155-51580	O-RING	1	1	1					
73	2	129155-51591	SPRING, RACK	1	1	1					
74	2	119415-51700	COVER	1	1	1					
75	2	119415-51710	GASKET	1	1	1					
76	2	119415-51750	COVER	1	1	1					
77	2	119415-51760	GASKET	1	1	1					
78	2	158600-51790	STOOPER, RACK	1	1	1					
79	2	129156-51910	LABEL, CAUTION	1	1	1					
80	2	22190-160002	WASHER, SEAL 16	1	1	1					
81	2	22217-060000	WASHER, SPRING 6	2	2	2					
82	2	22351-050010	PIN, SPRING 5.0X10	2	2	2					
83	2	24101-060034	BEARING, BALL 6003	1	1	1					
84	2	24101-063034	BEARING, BALL 6303	1	1	1					
85	2	24316-000150	O-RING, 4DP15.0	2	2	2					
86	2	26022-050122	SCREW, M5X12	8	8	8					
87	2	26022-060162	SCREW, M6X16	4	4	4					
88	2	26106-050102	BOLT, M5X 10 PLATED	2	2	2					

Remarks  
 (1) GOVERNOR ASSY(FIG.11) IS  
 INCORPORATED IN THIS FOP.CMP  
 (REF.NO.1).

Fig.10. FUEL INJECTION PUMP

(A)=2TNV70-KBR  
 (B)=2TNV70-KBRC  
 (C)=2TNV70-KBRT

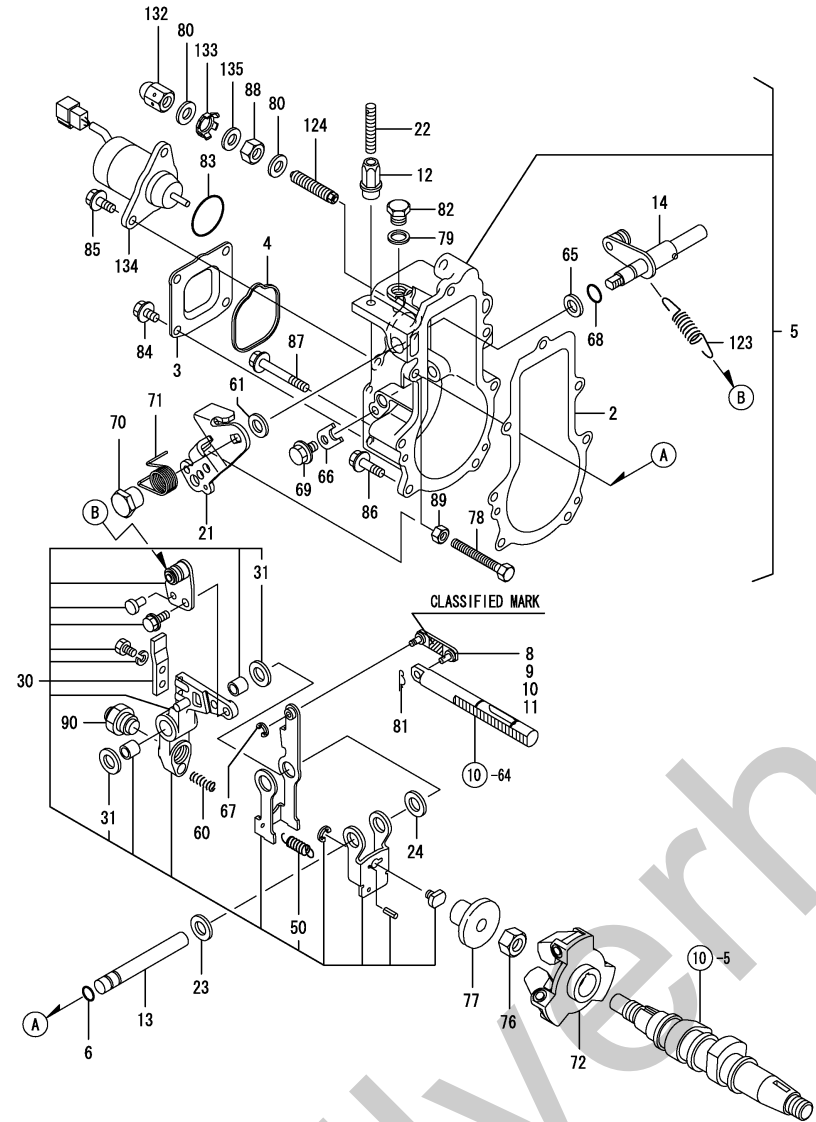
(D)=  
 (E)=  
 (F)=



No.	Lev.	Parts No.	Description	Qty						I	R
				(A)	(B)	(C)	(D)	(E)	(F)		
89	2	26716-060002	NUT, M6	2	2	2					
90	2	119717-51480	COLLAR	1	1	1					
91	2	119717-51490	BOLT	1	1	1					
94	2	129155-52051	GASKET	1	1	1					
95	2	129100-52200	COVER	1	1	1					

Remarks  
 (1) GOVERNOR ASSY(FIG.11) IS  
 INCORPORATED IN THIS FOP.CMP  
 (REF.NO.1).

Fig.11. GOVERNOR



Remarks  
 (1) SELECTIVE PARTS:CERTAIN THE CLASSIFICATION MARK, THEN PLACE YOUR ORDER. (REF.TO.ILLUSTRATION).  
 \* THIS FIGURE(GOVERNOR ASSY)IS INCORPORATED IN THE FUEL INJECTION PUMP ASSY(FIG.10).

(A)=2TNV70-KBR  
 (B)=2TNV70-KBRC  
 (C)=2TNV70-KBRT

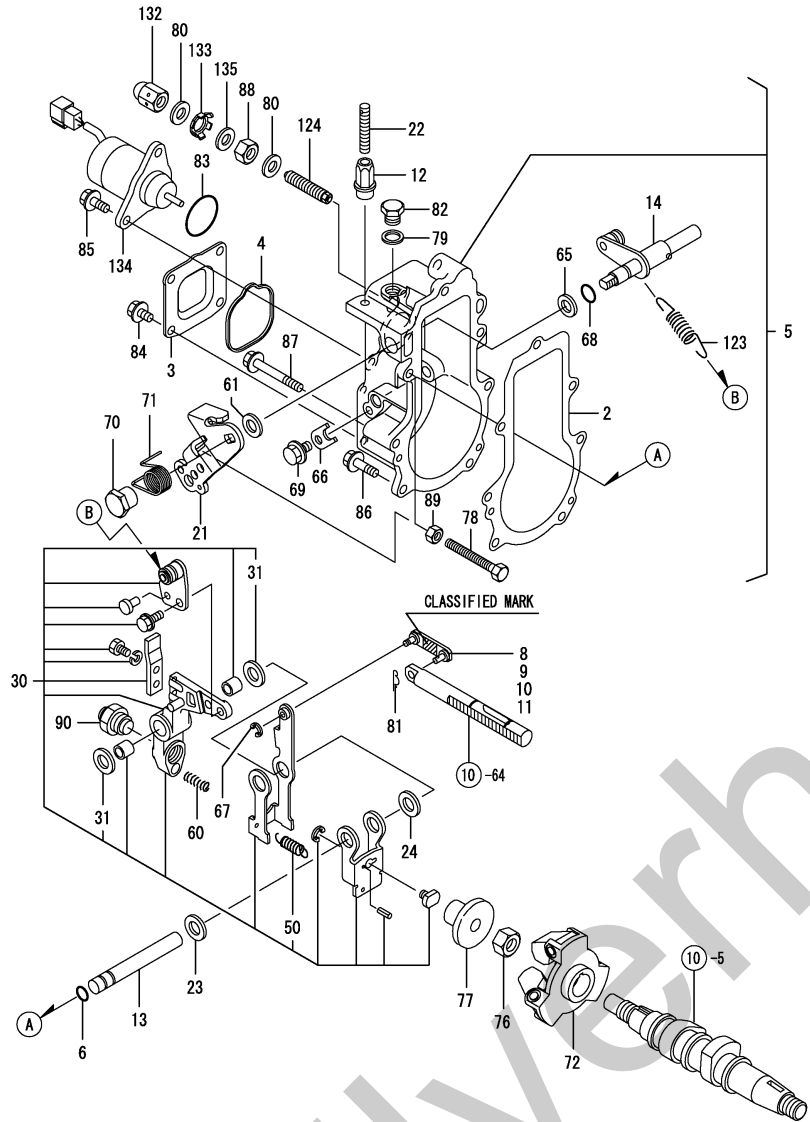
(D)=  
 (E)=  
 (F)=

No.	Lev.	Parts No.	Description	Q'ty						I	R
				(A)	(B)	(C)	(D)	(E)	(F)		
2	2	119717-61050	GASKET	1	1	1					
3	2	119717-61060	COVER, GOVERNOR CASE	1	1	1					
4	2	119717-61070	GASKET	1	1	1					
5	2	119515-61200	CASE ASSY, GOVERNOR	1	1	1					
6	3	129155-51280	O-RING, S6	1	1	1					
8	3	119717-61120	LINK, MARK :3	1	1	1					1
9	3	119717-61130	LINK, MARK 98	1	1	1					1
10	3	119717-61140	LINK, MARK 88	1	1	1					1
11	3	119717-61150	LINK, MARK 03	1	1	1					1
12	3	129209-61370	NUT, M6	1	1	1					
13	3	129052-61390	SHAFT	1	1	1					
14	3	119717-61400	SHAFT ASSY	1	1	1					
21	3	119515-61440	LEVER, CONTROL	1	1	1					
22	3	129155-61450	BOLT, LIMITER	1	1	1					
23	3	129156-61460	SHIM, T=0.6	1	1	1					
24	3	129155-61480	SPACER ASSY	1	1	1					
30	3	119516-61500	LEVER ASSY, GOVERNOR	1	1	1					
31	4	174307-51700	SHIM SET	2	2	2					
50	4	129486-61540	SPRING, SET	1	1	1					
60	3	129486-61650	SPRING, STARTING	1	1	1					
61	3	158552-61700	SHIM SET	1	1	1					
65	3	158552-61710	SHIM, T=1.0	1	1	1					
66	3	119660-61901	RETAINER, SHAFT	1	1	1					
67	3	22272-000030	RING, E- 3	1	1	1					
68	3	24341-000070	O-RING, 1AS7.0	1	1	1					
69	3	26106-060102	BOLT, M6X 10 PLATED	1	1	1					
70	3	129255-61410	NUT, LOCK	1	1	1					
71	3	129255-61420	SPRING, RETURN	1	1	1					
72	2	119717-61200	WEIGHT ASSY,GOVERNOR	1	1	1					
76	2	119660-61300	NUT	1	1	1					
77	2	129155-61341	SLEEVE	1	1	1					
78	2	129155-61460	BOLT, IDLE	1	1	1					
79	2	22190-100002	WASHER, SEAL 10	1	1	1					
80	2	22190-120002	WASHER, SEAL 12	2	2	2					
81	2	22372-040000	PIN, SNAP 4	1	1	1					
82	2	23887-100002	PLUG, 10	1	1	1					
83	2	24341-000280	O-RING, 1AS28.0	1	1	1					
83-1	2	158552-61900	O-RING	1	1	1					N
				(A=EXXXXX)	(B=EXXXXX)	(C=EXXXXX)					
84	2	26106-060102	BOLT, M6X 10 PLATED	4	4	4					
85	2	26106-060142	BOLT, M6X 14 PLATED	2	2	2					
86	2	26106-060202	BOLT, M6X 20 PLATED	4	4	4					
87	2	26106-060452	BOLT, M6X 45 PLATED	3	3	3					
88	2	26736-120002	NUT, M12	1	1	1					
89	2	26756-060002	NUT, LOCK M6	1	1	1					
90	2	119515-61550	ANGLEICH ASSY	1	1	1					
123	2	119717-61700	SPRING, GOVERNOR	1	1	1					
124	2	158601-61710	LIMITER ASSY, FUEL	1	1	1					
132	2	129209-61930	NUT, CAP	1	1	1					
133	2	129209-61970	PLATE	1	1	1					
134	2	119653-77950	SOLENOID, STOP	1	1	1					

Fig.11. GOVERNOR

(A)=2TNV70-KBR  
 (B)=2TNV70-KBRC  
 (C)=2TNV70-KBRT

(D)=  
 (E)=  
 (F)=

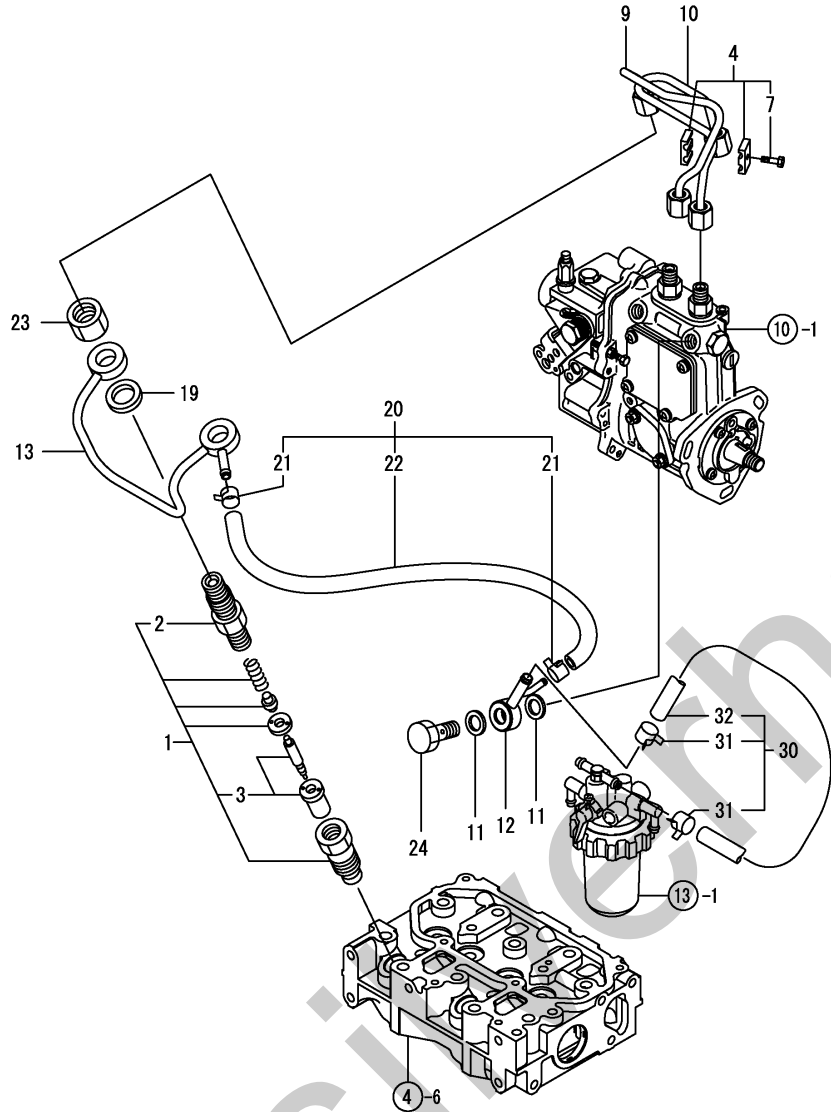


No.	Lev.	Parts No.	Description	Q'ty						I	R
				(A)	(B)	(C)	(D)	(E)	(F)		
135	2	23414-120016	GASKET, 12X1.0	1	1	1					

Remarks  
 (1) SELECTIVE PARTS: CERTAIN THE CLASSIFICATION MARK, THEN PLACE YOUR ORDER. (REF. TO ILLUSTRATION).  
 \* THIS FIGURE (GOVERNOR ASSY) IS INCORPORATED IN THE FUEL INJECTION PUMP ASSY (FIG. 10).



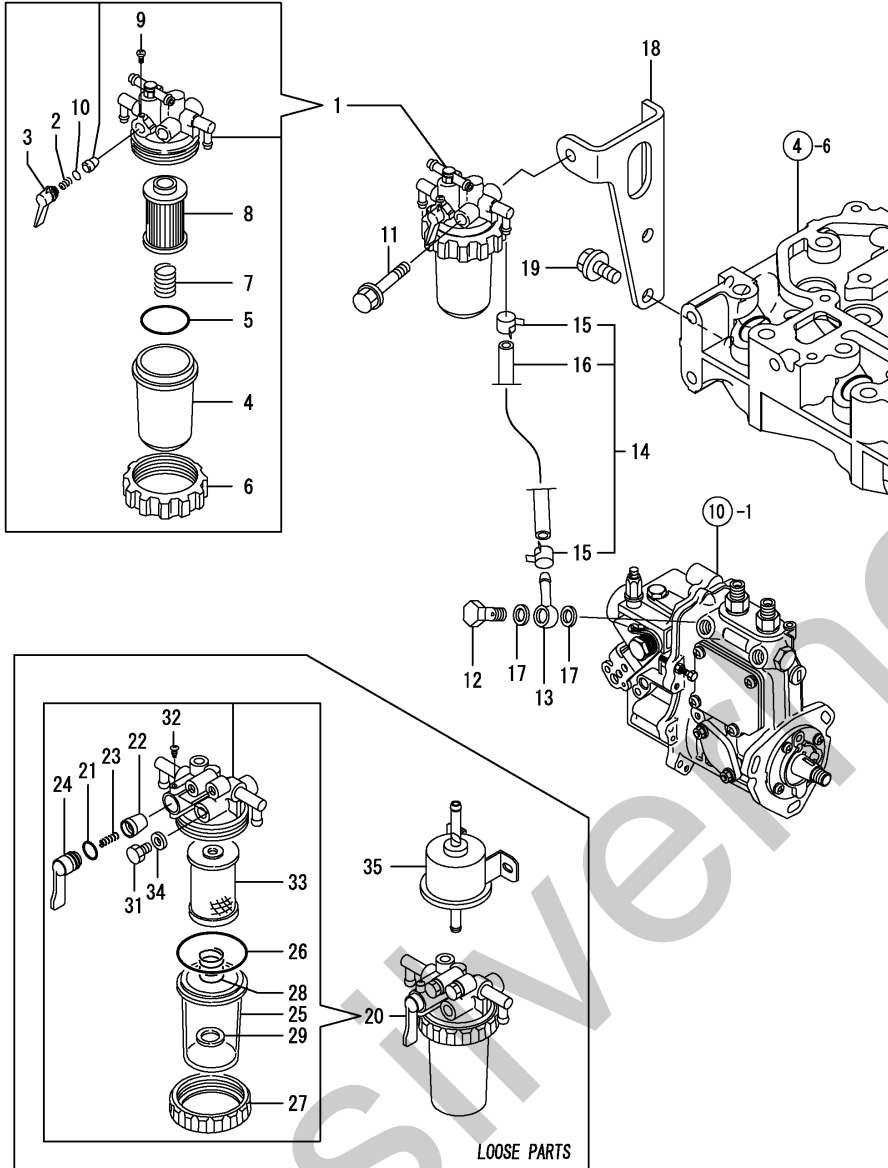
Fig.12. FUEL INJECTION VALVE



(A)=2TNV70-KBR (D)=  
 (B)=2TNV70-KBRC (E)=  
 (C)=2TNV70-KBRT (F)=

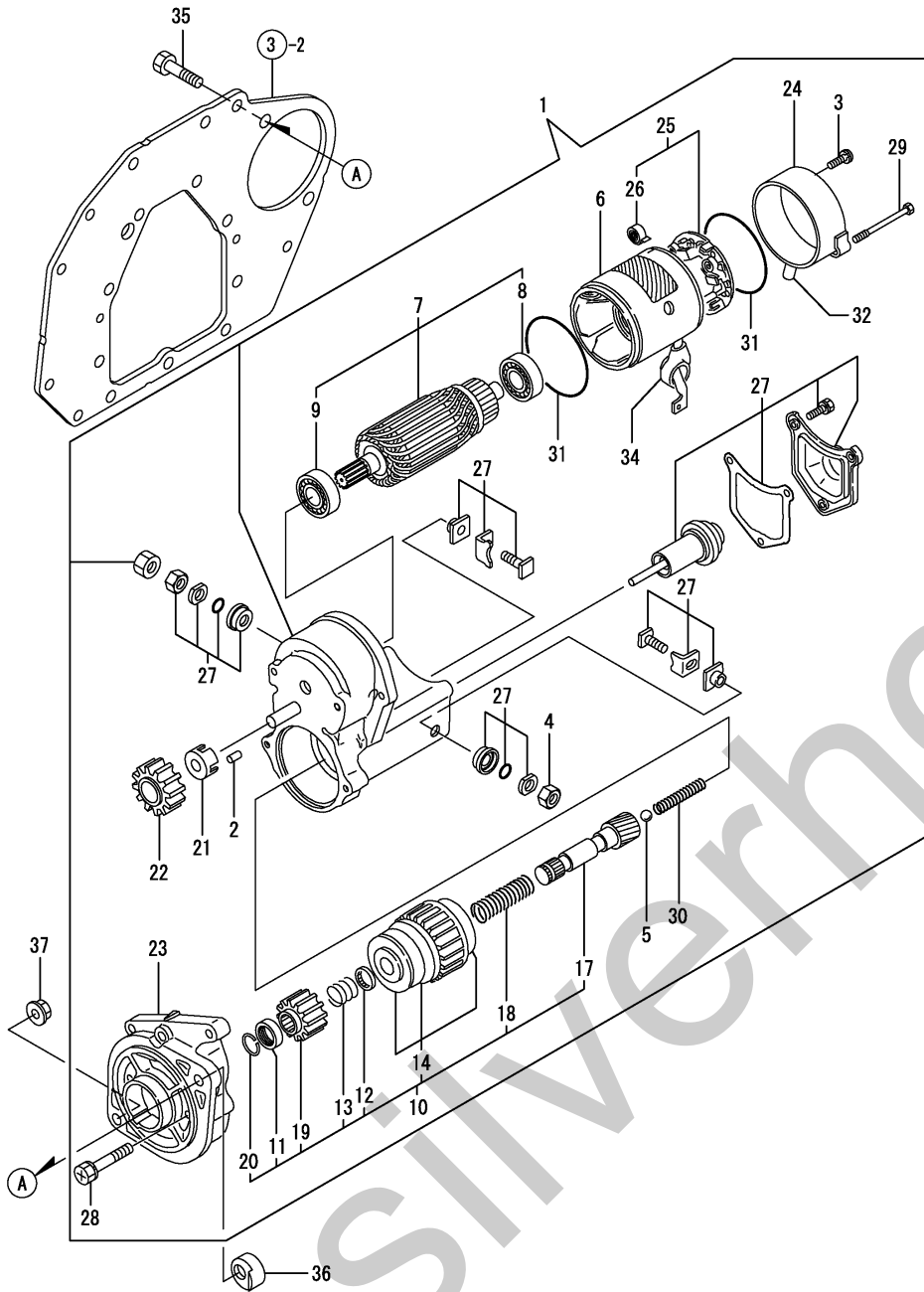
No.	Lev.	Parts No.	Description	Q'ty						I	R
				(A)	(B)	(C)	(D)	(E)	(F)		
1	1	119515-53001	VALVE ASSY,INJECTION	2	2	2					
2	2	118200-53010	HOLDER, NOZZLE	2	2	2					
3	2	119515-53010	VALVE ASSY,INJECTION	2	2	2					
4	1	119305-59120	RETAINER, PIPE	1	1	1					
7	2	129150-59131	BOLT, M4X14	1	1	1					
9	1	119415-59810	PIPE ASSY, INJECTION	1	1	1					
10	1	119415-59820	PIPE ASSY, INJECTION	1	1	1					
11	1	22190-120002	WASHER, SEAL 12	2	2	2					
12	1	119840-59570	JOINT	1	1	1					
13	1	119415-59540	PIPE ASSY, RETURN	1	1	1					
19	1	129901-59560	GASKET	2	2	2					
20	1	119540-59570	PIPE ASSY, RETURN	1	1	1					
21	2	124066-59100	CLIP, HOSE 8	2	2	2					
22	2	119540-59560	PIPE ASSY, RETURN	1	1	1					
23	1	119620-59700	NUT, NOZZLE	2	2	2					
24	1	119813-59950	VALVE ASSY, CHECK	1	1	1					
30	1	129210-59110	PIPE ASSY, FUEL	1	1	1					
31	2	124766-59050	CLIP, HOSE 12	2	2	2					
32	2	105025-59560	PIPE, FUEL	1	1	1					

Fig.13. FUEL LINE



No.	Lev.	Parts No.	Description	Qty						I	R
				(A)	(B)	(C)	(D)	(E)	(F)		
1	1	119833-55620	FILTER ASSY, FUEL	1	1	1					
2	2	104200-55330	SPRING, VALVE	1	1	1					
3	2	119810-55340	LEVER	1	1	1					
4	2	121254-55510	COVER	1	1	1					
5	2	102103-55520	O-RING	1	1	1					
6	2	110250-55610	RING, RETAINING	1	1	1					
7	2	121250-55620	SPRING	1	1	1					
8	2	119810-55650	ELEMENT	1	1	1					
9	2	104200-55750	SCREW, M4	1	1	1					
10	2	24311-240100	O-RING, 1AP10A	1	1	1					
11	1	26014-080702	BOLT, M8X 70	1	1	1					
12	1	103854-39140	BOLT, PIPE JOINT	1	1	1					
13	1	101304-59020	JOINT, PIPE 12	1	1	1					
14	1	129210-59050	PIPE ASSY, FUEL	1	1	1					
15	2	124766-59050	CLIP, HOSE 12	2	2	2					
16	2	105312-59510	PIPE, FUEL	1	1	1					
17	1	22190-120002	WASHER, SEAL 12	2	2	2					
18	1	119717-55650	BRACKET, FILTER	1	1	1					
19	1	26106-080162	BOLT, M8X 16 PLATED	2	2	2					
20	1	129335-55700	SEPARATOR ASSY,WATER	1	1	1					
21	2	24311-240100	O-RING, 1AP10A	1	1	1					
22	2	104200-55321	VALVE, TAPER	1	1	1					
23	2	104200-55330	SPRING, VALVE	1	1	1					
24	2	104200-55341	HANDLE	1	1	1					
25	2	124064-55510	COVER	1	1	1					
26	2	102103-55520	O-RING	1	1	1					
27	2	110250-55610	RING, RETAINING	1	1	1					
28	2	121257-55720	SPRING	1	1	1					
29	2	121257-55731	FLOAT	1	1	1					
31	2	101720-55750	PLUG, 6	2	2	2					
32	2	104200-55750	SCREW, M4	1	1	1					
33	2	171081-55910	SCREEN	1	1	1					
34	2	23418-060000	GASKET, 6X1.0	2	2	2					
35	1	119225-52102	PUMP ASSY, FUEL FEED	1	1	1					

Fig.14. STARTING MOTOR

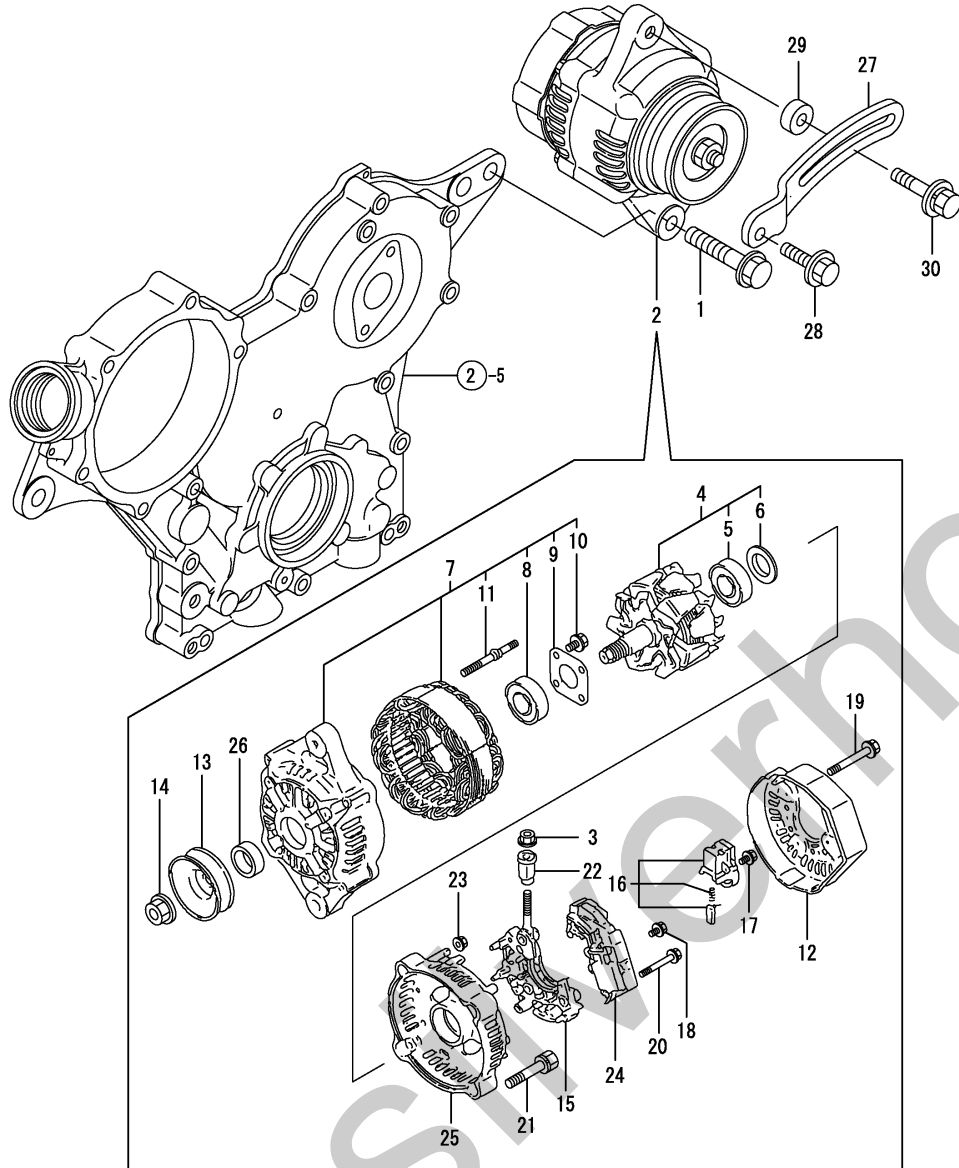


(A)=2TNV70-KBR  
 (B)=2TNV70-KBRC  
 (C)=2TNV70-KBRT

(D)=  
 (E)=  
 (F)=

No.	Lev.	Parts No.	Description	Qty						I	R
				(A)	(B)	(C)	(D)	(E)	(F)		
1	1	129129-77010	STARTER ASSY	1	1	1					
2	2	X0283060061	ROLLER	5	5	5					
3	2	129129-77460	SCREW	2	2	2					
4	2	X9490561370	NUT	1	1	1					
5	2	X9491200240	BALL	1	1	1					
6	2	129129-77210	YOKE ASSY	1	1	1					
7	2	129129-77220	ARMATURE ASSY	1	1	1					
8	3	129129-77230	BEARING	1	1	1					
9	3	129129-77240	BEARING	1	1	1					
10	2	129129-77250	STARTER	1	1	1					
11	3	X0280210230	NUT	1	1	1					
12	3	X0283270140	RETAINER	1	1	1					
13	3	X9491703371	SPRING, COIL	1	1	1					
14	3	129129-77390	CLUTCH ASSY	1	1	1					
17	3	129129-77400	SHAFT	1	1	1					
18	3	129129-77410	SPRING, COIL	1	1	1					
19	3	129129-77420	PINION, STARTER	1	1	1					
20	3	129129-77430	RING	1	1	1					
21	2	129129-77260	RETAINER	1	1	1					
22	2	129129-77270	PINION	1	1	1					
23	2	129129-77280	HOUSING	1	1	1					
24	2	129129-77290	FRAME	1	1	1					
25	2	129129-77300	HOLDER ASSY	1	1	1					
26	3	X9491730461	SPRING	4	4	4					
27	2	129129-77310	SWITCH ASSY	1	1	1					
28	2	129129-77320	BOLT	2	2	2					
29	2	129129-77330	BOLT	2	2	2					
30	2	129129-77340	SPRING	1	1	1					
31	2	129129-77350	O-RING	2	2	2					
32	2	129129-77362	COVER	1	1	1					
34	2	129129-77380	CAP	1	1	1					
35	1	26156-120302	BOLT, M12X 30 PLATED	2	2	2					
36	1	119285-77050	NUT	1	1	1					
37	1	26376-120002	NUT, M12	1	1	1					

Fig.15. GENERATOR



(A)=2TNV70-KBR  
(B)=2TNV70-KBRC  
(C)=2TNV70-KBRT

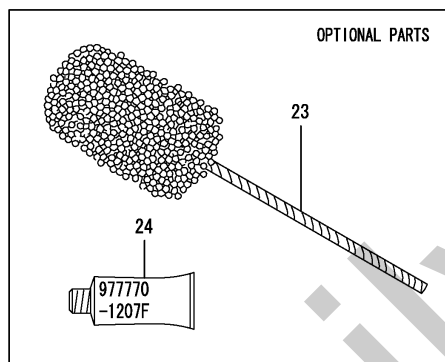
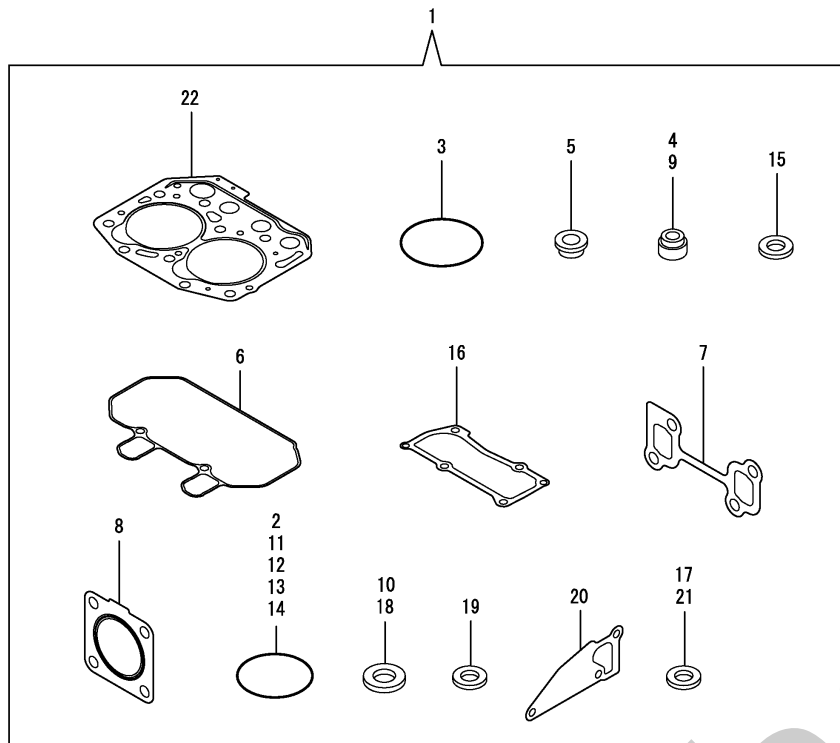
(D)=  
(E)=  
(F)=

No.	Lev.	Parts No.	Description	Qty						I	R
				(A)	(B)	(C)	(D)	(E)	(F)		
1	1	26106-100502	BOLT, M10X 50 PLATED	1	1	1					
2	1	119626-77210	ALTERNATOR, 12V-55A	1	1	1					
3	2	X9490561001	NUT	1	1	1					
4	2	129052-77380	ROTOR ASSY	1	1	1					
5	3	123501-79240	BEARING, BALL	1	1	1					
6	3	119620-79250	COVER	1	1	1					
7	2	129052-77422	FRAME ASSY	1	1	1					
8	3	119620-79200	BEARING, BALL	1	1	1					
9	3	119620-79210	PLATE, RETAINER	1	1	1					
10	3	119620-79220	SCREW	4	4	4					
11	3	119620-79230	STUD	2	2	2					
12	2	128401-77440	FRAME	1	1	1					
13	2	119620-77461	PULLEY	1	1	1					
14	2	119620-77471	NUT	1	1	1					
15	2	129052-79260	HOLDER	1	1	1					
16	2	129052-79270	HOLDER, BRUSH	1	1	1					
17	2	119620-79290	SCREW	6	6	6					
18	2	119620-79300	SCREW	1	1	1					
19	2	119620-79310	BOLT	3	3	3					
20	2	119620-79320	SCREW	2	2	2					
21	2	119620-79330	BOLT	2	2	2					
22	2	119620-79340	BUSH, INSULATION	1	1	1					
23	2	119620-79350	NUT	2	2	2					
24	2	129423-77710	REGULATOR ASSY	1	1	1					
25	2	119626-79410	COVER	1	1	1					
25-1	2	119626-77450	COVER	1	1	1					N
		(A=FROM 1ST) (B=FROM 1ST) (C=FROM 1ST)									
26	2	119620-77490	COLLAR	1	1	1					
27	1	119717-77340	ADJUSTER	1	1	1					
28	1	26106-080202	BOLT, M8X 20 PLATED	1	1	1					
29	1	119940-77270	SPACER, GENERATOR	1	1	1					
30	1	129972-77341	BOLT, ADJUSTER L=50	1	1	1					

Fig.16. GASKET SET

(A)=2TNV70-KBR  
(B)=2TNV70-KBRC  
(C)=2TNV70-KBRT

(D)=  
(E)=  
(F)=



No.	Lev.	Parts No.	Description	Q'ty						I	R
				(A)	(B)	(C)	(D)	(E)	(F)		
1	1	719415-92670	GASKET SET	1	1	1					1
2	2	24341-000400	O-RING, 1AS40.0	1	1	1					
3	2	121850-51960	O-RING	1	1	1					
4	2	119717-11340	SEAL, VALVE STEM	2	2	2					
5	2	129901-11450	PROTECTOR, NOZZLE	2	2	2					
6	2	119415-11310	GASKET, BONNET	1	1	1					
7	2	119415-13110	GASKET	1	1	1					
8	2	119515-13200	GASKET, SILENCER	1	1	1					
9	2	119717-11350	SEAL, VALVE STEM	2	2	2					
10	2	22190-080002	WASHER, SEAL 6	4	4	4					
11	2	24311-000320	O-RING, 1AP32.0	2	2	2					
12	2	119717-32060	O-RING, P15.0	1	1	1					
13	2	119624-32040	O-RING, P12.0	1	1	1					
14	2	119717-32050	O-RING, P17.0	3	3	3					
15	2	119600-11460	GASKET, NOZZLE	4	4	4					
16	2	119415-11330	GASKET	1	1	1					
17	2	124465-44950	GASKET, 16	2	2	2					
18	2	22190-120002	WASHER, SEAL 12	4	4	4					
19	2	129901-59560	GASKET	2	2	2					
20	2	119515-42020	GASKET, WATER PUMP	1	1	1					
21	2	23414-080000	GASKET, 8X1.0	1	1	1					
22	2	119415-01330	GASKET, HEAD	1	1	1					
23	1	129400-92410	HONE	1	1	1					1
24	1	977770-1207F	GASKET.LIQUID	1	1	1					1

Remarks  
(1) OPTIONAL PART.

## Parts No. Index

Parts No.	Fig. No.	Ref. No.
101304-59020	13	13
101720-55750	13	31
102103-55520	13	5
		26
103854-39140	13	12
104200-55321	13	22
104200-55330	13	2
		23
104200-55341	13	24
104200-55750	13	9
		32
105010-11490	4	5
105025-59560	12	32
105311-01090	1	5
105312-59510	13	16
110250-55610	13	6
		27
118200-53010	12	2
118400-51370	10	48
119131-18320	5	5
119225-52102	13	35
119285-01731	3	13
119285-01990	1	8
119285-11990	4	12
119285-77050	14	36
119305-35151	8	3
119305-59120	12	4
119415-01330	1	30
		16
		22
119415-11200	4	22
119415-11240	4	23
119415-11310	4	42
		16
		6
119415-11320	4	43
119415-11330	4	44
		16
		16
119415-11740	4	6
119415-13100	5	1
119415-13110	5	2
		16
		7
119415-14580	6	3
119415-21600	7	8
119415-21700	7	1
119415-39210	8	8
119415-51030	10	5
119415-51400	10	49
119415-51500	10	64
119415-51700	10	74
119415-51710	10	75
119415-51750	10	76

Parts No.	Fig. No.	Ref. No.
119415-51760	10	77
119415-59540	12	13
119415-59810	12	9
119415-59820	12	10
119415-77820	4	52
119416-01770	3	11
119416-11380	4	36
119416-34800	8	1
119416-35080	8	5
119515-01200	1	29
119515-11100	4	14
119515-11110	4	15
119515-11280	4	27
119515-11800	4	9
119515-13200	5	7
		16
		8
119515-14400	6	2
119515-22300	7	20
119515-22500	7	16
119515-22550	7	31
119515-23000	7	22
119515-23600	7	37
119515-23610	7	35
119515-42020	9	13
		16
		20
119515-42041	9	3
119515-42350	9	18
119515-51100	10	9
119515-53001	12	1
119515-53010	12	3
119515-61200	11	5
119515-61440	11	21
119515-61550	11	90
119516-22020	7	14
119516-22030	7	29
119516-61500	11	30
119540-42000	9	1
119540-59560	12	22
119540-59570	12	20
119600-11460	4	4
		16
		15
119620-01620	3	6
119620-02020	1	9
119620-14200	6	1
119620-21500	7	7
119620-21941	7	13
119620-59700	12	23
119620-77461	15	13
119620-77471	15	14
119620-77490	15	26

Parts No.	Fig. No.	Ref. No.
119620-79200	15	8
119620-79210	15	9
119620-79220	15	10
119620-79230	15	11
119620-79250	15	6
119620-79290	15	17
119620-79300	15	18
119620-79310	15	19
119620-79320	15	20
119620-79330	15	21
119620-79340	15	22
119620-79350	15	23
119621-21680	7	12
119623-01250	1	6
119624-32040	2	18
		16
		13
119626-77210	15	2
119626-77450	15	25 -1
119626-79410	15	25
119653-77950	11	134
119660-01911	2	17
119660-61300	11	76
119660-61901	11	66
119717-01501	2	1
119717-01521	2	5
119717-01570	2	2
119717-01750	2	16
119717-01800	2	6
119717-02410	1	12
119717-02930	1	26
119717-03031	4	37
119717-03070	4	38
		39
119717-11131	4	16
119717-11190	4	18
119717-11260	4	26
119717-11340	4	19
		16
		4
119717-11350	4	20
		16
		9
119717-11650	4	28
119717-13600	5	3
119717-21650	7	11
119717-23200	7	26
119717-23910	7	25
119717-25050	6	9
119717-25100	6	10
119717-25930	6	15
119717-32050	2	19
		16
		14

Parts No.	Fig. No.	Ref. No.
119717-32060	8	4
		16
		12
119717-32080	2	9
119717-32100	2	8
119717-32110	2	13
119717-32120	2	14
119717-42031	9	4
119717-42320	9	11
119717-51060	10	6
119717-51070	10	7
119717-51150	6	16
119717-51180	10	14
119717-51190	10	15
119717-51200	10	16
119717-51300	10	43
119717-51330	10	46
119717-51420	10	51
119717-51480	10	90
119717-51490	10	91
119717-55650	13	18
119717-61050	11	2
119717-61060	11	3
119717-61070	11	4
119717-61120	11	8
119717-61130	11	9
119717-61140	11	10
119717-61150	11	11
119717-61200	11	72
119717-61400	11	14
119717-61700	11	123
119717-77340	15	27
119718-01600	3	2
119718-49800	9	24
119718-77800	4	51
119734-01590	2	3
119734-01640	3	7
119734-02220	3	9
119802-13620	5	4
119802-32130	2	15
119810-02940	1	31
119810-55340	13	3
119810-55650	13	8
119813-59950	12	24
119833-55620	13	1
119840-59570	12	12
119940-77270	15	29
119C10-42000	9	1 -1
119C10-42320	9	11 -1
121250-44901	9	27
121250-55620	13	7

## Parts No. Index

Parts No.	Fig. No.	Ref. No.
121252-39450	8	7
121254-55510	13	4
121257-55720	13	28
121257-55731	13	29
121450-42450	9	26
121520-34810	8	13
121850-51960	2	20
	16	3
122710-51090	10	8
123501-79240	15	5
124060-01050	1	4
124060-21600	7	10
124064-55510	13	25
124066-59100	12	21
124085-01771	3	15
124101-49531	9	23
124160-01751	2	28
	4	35
124160-01910	1	7
124465-44950	9	20
	16	17
124550-51350	10	47
124766-59050	12	31
	13	15
128401-77440	15	12
129001-32320	2	11
129001-32330	2	12
129005-59830	8	9
129006-03120	4	40
129052-61390	11	13
129052-77380	15	4
129052-77422	15	7
129052-79260	15	15
129052-79270	15	16
129100-01580	3	1
	7	2
129100-35140	8	2
129100-51560	10	69
129100-51570	10	70
129100-52200	10	95
129129-77010	14	1
129129-77210	14	6
129129-77220	14	7
129129-77230	14	8
129129-77240	14	9
129129-77250	14	10
129129-77260	14	21
129129-77270	14	22
129129-77280	14	23
129129-77290	14	24

Parts No.	Fig. No.	Ref. No.
129129-77300	14	25
129129-77310	14	27
129129-77320	14	28
129129-77330	14	29
129129-77340	14	30
129129-77350	14	31
129129-77362	14	32
129129-77380	14	34
129129-77390	14	14
129129-77400	14	17
129129-77410	14	18
129129-77420	14	19
129129-77430	14	20
129129-77460	14	3
129150-11230	4	29
129150-11750	4	31
129150-25301	6	14
129150-59131	12	7
129155-51020	10	4
129155-51140	10	12
129155-51280	10	41
		42
	11	6
129155-51450	10	59
129155-51521	10	65
129155-51530	10	66
129155-51540	10	67
129155-51550	10	68
129155-51580	10	72
129155-51591	10	73
129155-51600	10	20
129155-52051	10	94
129155-61341	11	77
129155-61450	11	22
129155-61460	11	78
129155-61480	11	24
129156-51910	10	79
129156-61460	11	23
129209-61370	11	12
129209-61930	11	132
129209-61970	11	133
129210-59050	13	14
129210-59110	12	30
129255-61410	11	70
129255-61420	11	71
129335-55700	13	20
129400-92410	16	23
129423-77710	15	24
129486-01740	3	14
129486-07901	4	1

Parts No.	Fig. No.	Ref. No.
129486-61540	11	50
129486-61650	11	60
129508-11180	4	17
129612-42400	9	19
129900-32130	2	10
129901-11450	4	3
	16	5
129901-59560	12	19
	16	19
129916-49740	9	12
129972-77341	15	30
158552-61700	11	61
158552-61710	11	65
158552-61900	11	83 -1
158600-51170	10	13
158600-51270	10	40
158600-51410	10	50
158600-51420	10	52
158600-51441	10	53
158600-51570	10	71
158600-51790	10	78
158601-61710	11	124
171056-49120	9	17
171081-55910	13	33
174307-51700	11	31
22190-080002	8	10
		12
	16	10
22190-100002	11	79
22190-120002	11	80
	12	11
	13	17
	16	18
22190-160002	10	80
22217-060000	10	81
22217-120000	6	17
22242-000120	4	32
22252-000220	7	21
22272-000030	11	67
22351-050010	10	82
22351-060012	4	21
22372-040000	11	81
22512-040120	7	4
22857-500100	4	45
22857-500160	4	47
23414-080000	9	14
	16	21
23414-120016	11	135
23418-060000	13	34
23857-030000	8	11

Parts No.	Fig. No.	Ref. No.
23876-005000	4	13
23876-030000	2	7
23887-100002	11	82
24101-060034	10	83
24101-063034	10	84
24311-000320	2	29
	4	48
	16	11
24311-240100	13	10
		21
24316-000150	10	85
24341-000070	11	68
24341-000280	11	83
24341-000400	4	46
	16	2
26014-080702	13	11
26022-050122	10	86
26022-060162	10	87
26106-050102	10	88
26106-060102	11	69
		84
26106-060122	2	21
	6	8
	8	6
	9	22
26106-060142	11	85
26106-060162	2	22
26106-060202	4	49
	11	86
26106-060222	3	10
26106-060352	6	13
26106-060402	2	23
		24
26106-060452	3	17
	11	87
26106-060602	2	25
26106-060652	2	26
26106-060752	4	50
26106-080122	9	15
26106-080142	4	2
26106-080162	13	19
26106-080202	15	28
26106-080252	9	25
26106-080402	4	34
26106-080502	9	16
26106-080652	9	21
26106-100502	15	1
26156-120302	14	35
26206-100202	3	4
26206-100252	3	3

## Parts No. Index

Parts No.	Fig. No.	Ref. No.
26306-080002	2	27
	5	6
26376-120002	14	37
26577-060122	9	9
26716-060002	10	89
26716-120002	6	18
26736-120002	11	88
26756-060002	11	89
26979-050162	4	33
27241-120000	1	13
27241-250000	9	10
719415-01560	1	1
719415-51380	10	1
719415-92670	16	1
719717-02900	1	14
719717-02910	1	34
719734-01500	2	4
977770-1207F	2	30
	3	5
	4	53
	16	24
X0280210230	14	11
X0283060061	14	2
X0283270140	14	12
X9490561001	15	3
X9490561370	14	4
X9491200240	14	5
X9491703371	14	13
X9491730461	14	26

Parts No.	Fig. No.	Ref. No.
-----------	----------	----------

Parts No.	Fig. No.	Ref. No.
-----------	----------	----------

Parts No.	Fig. No.	Ref. No.
-----------	----------	----------